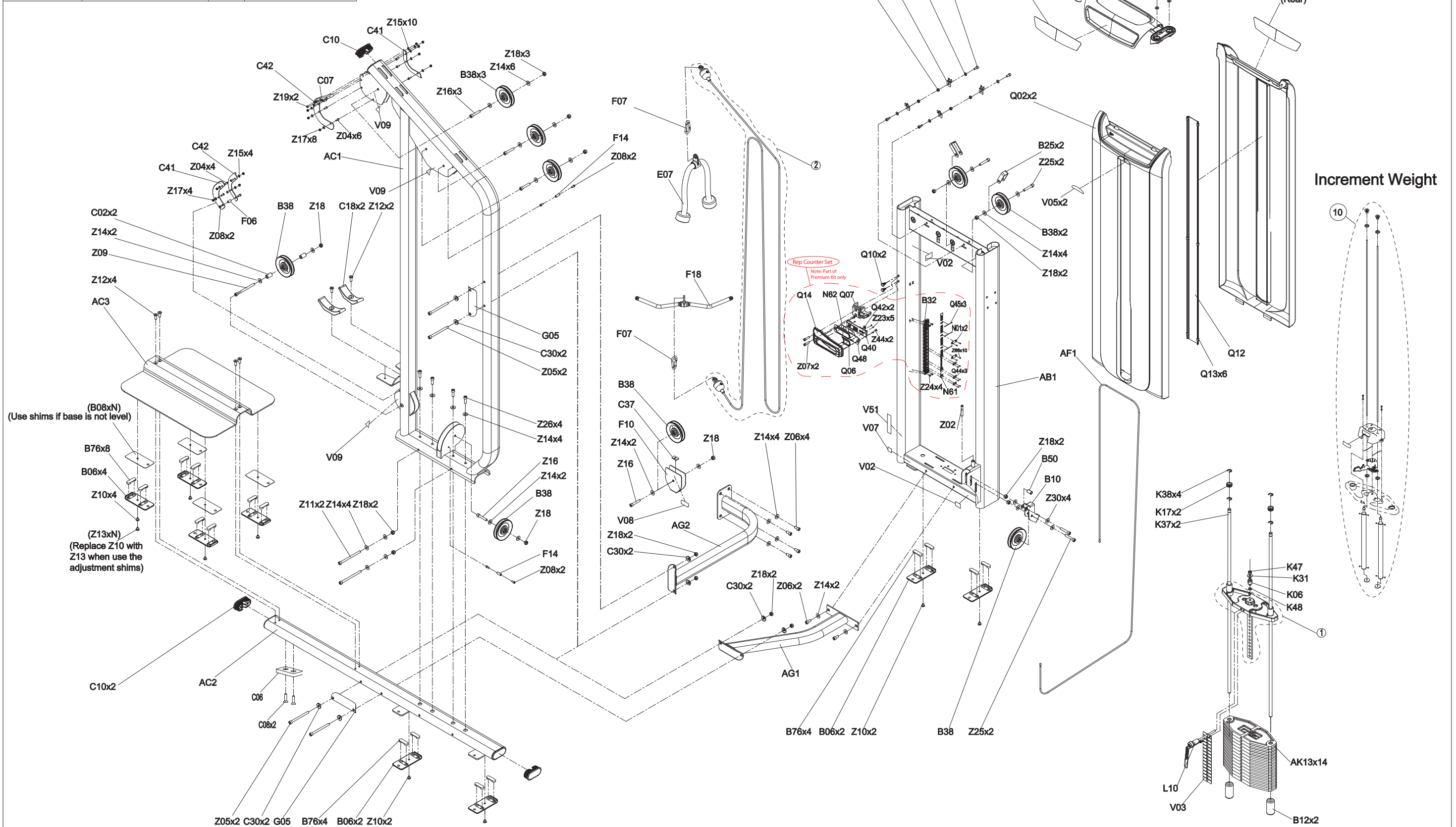


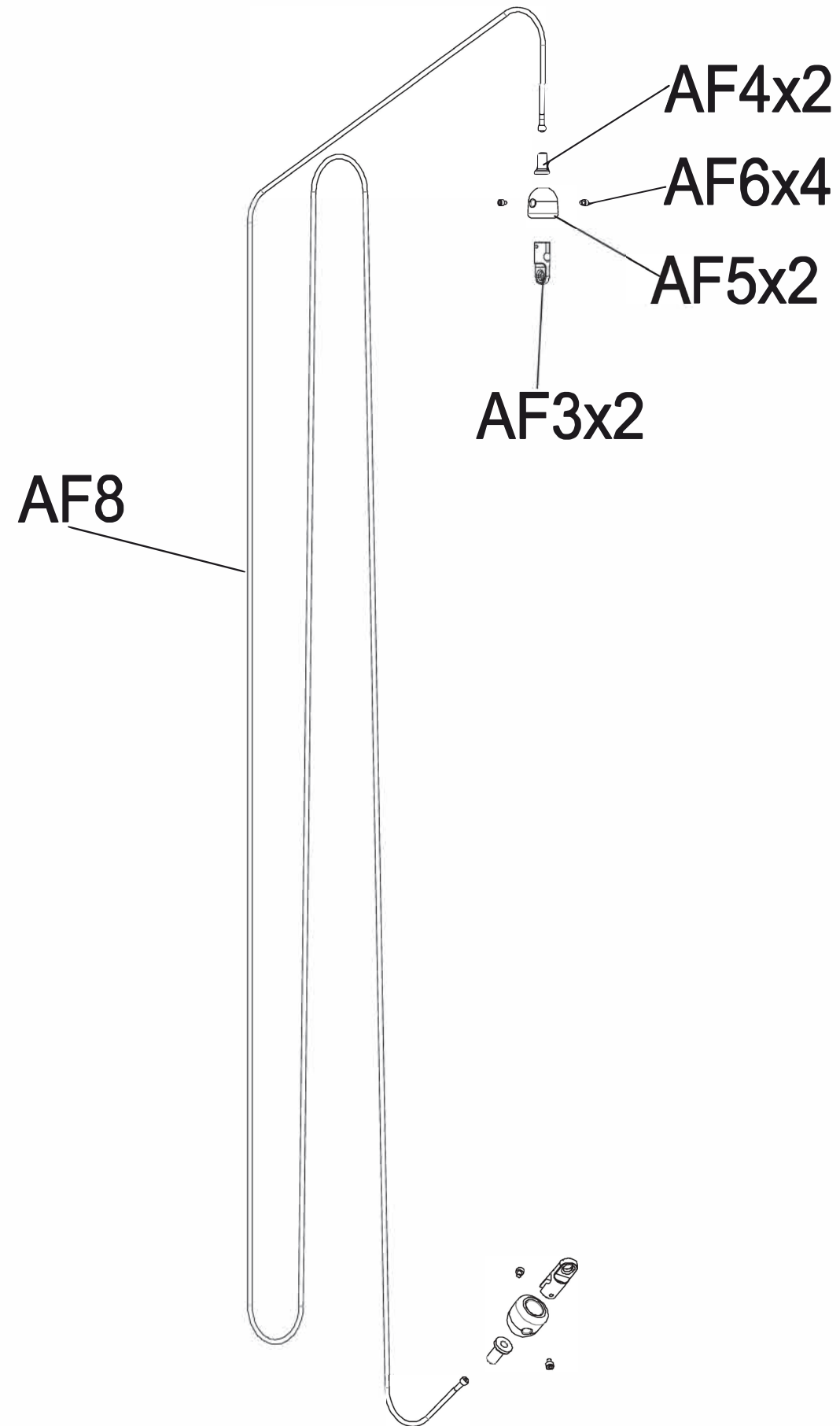
DRAWING NO	PGM102-KM		
PART NAME	Explosive Diagram		
PART NO.	MGM0589-00	REV	A
APPROVE	SuYehua	DATE	2023.06.06

Click on kit description for Premium Kit parts:
 • Shield Set



150LBS+Weight plate increments
 Click [here](#) for 200 Lbs weight stack

DRAWING NO	GM102-SF02		
PART NAME	Steel Rope Set; Φ6.0x6102L;GM102;		
PART NO	1000446650	REV	A
APPROVE	Taoyongchun	DATE	12052019



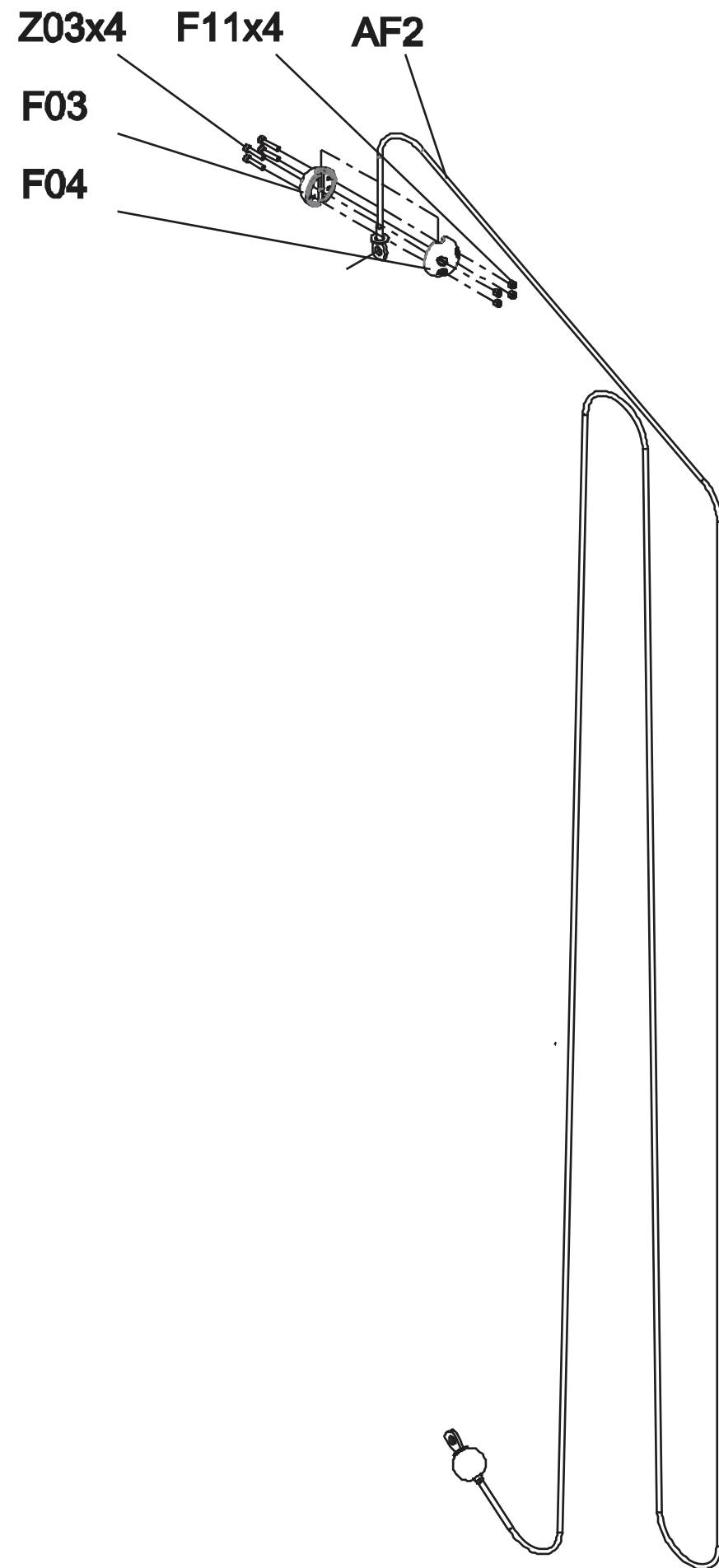
New Cable Set Design

See service bulletin "Steel Rope Design Change" for more information.

The old design is shown on the next diagram page.

Old Cable Set Design

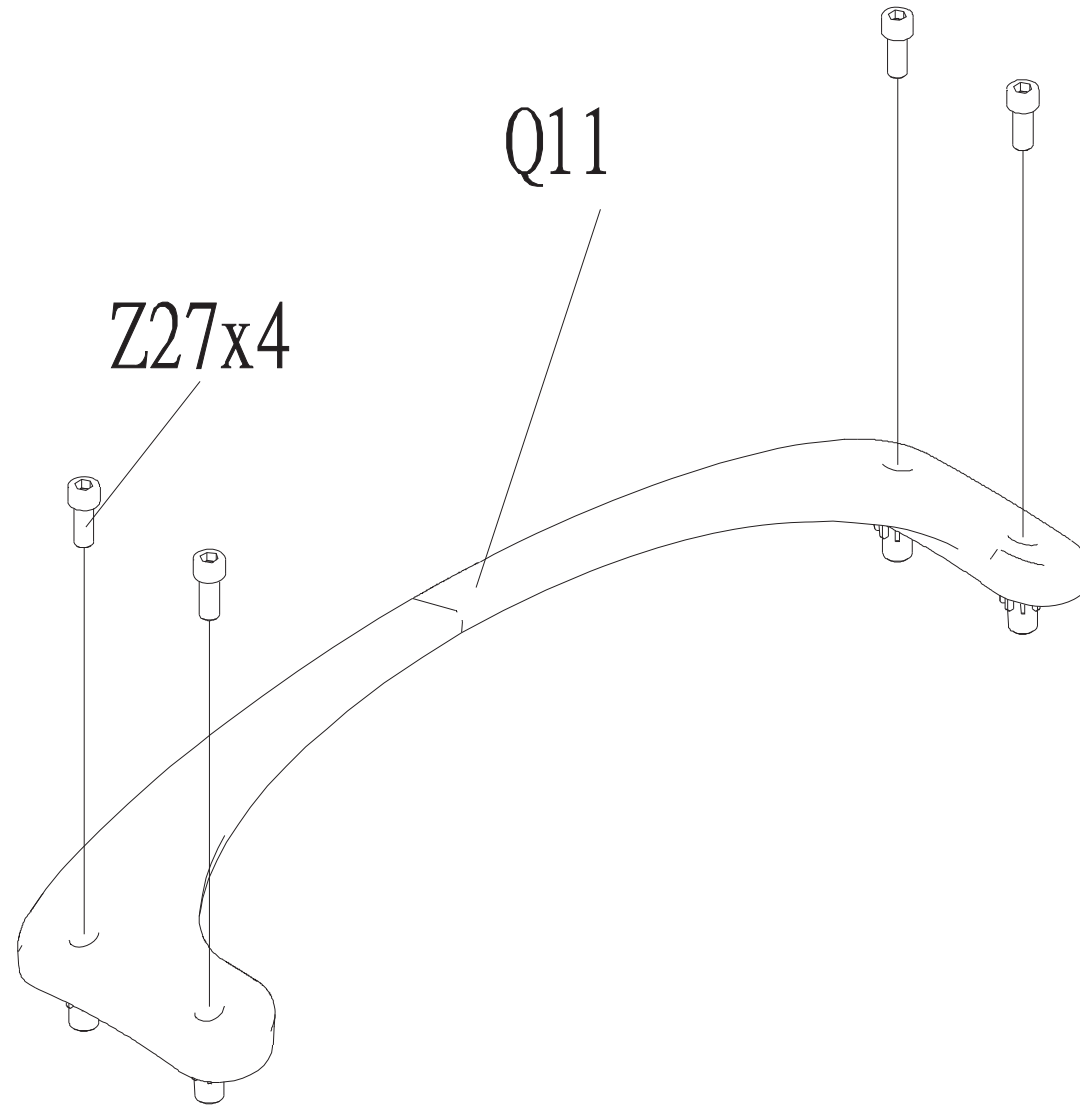
See service bulletin "Steel Rope Design Change" for more information.

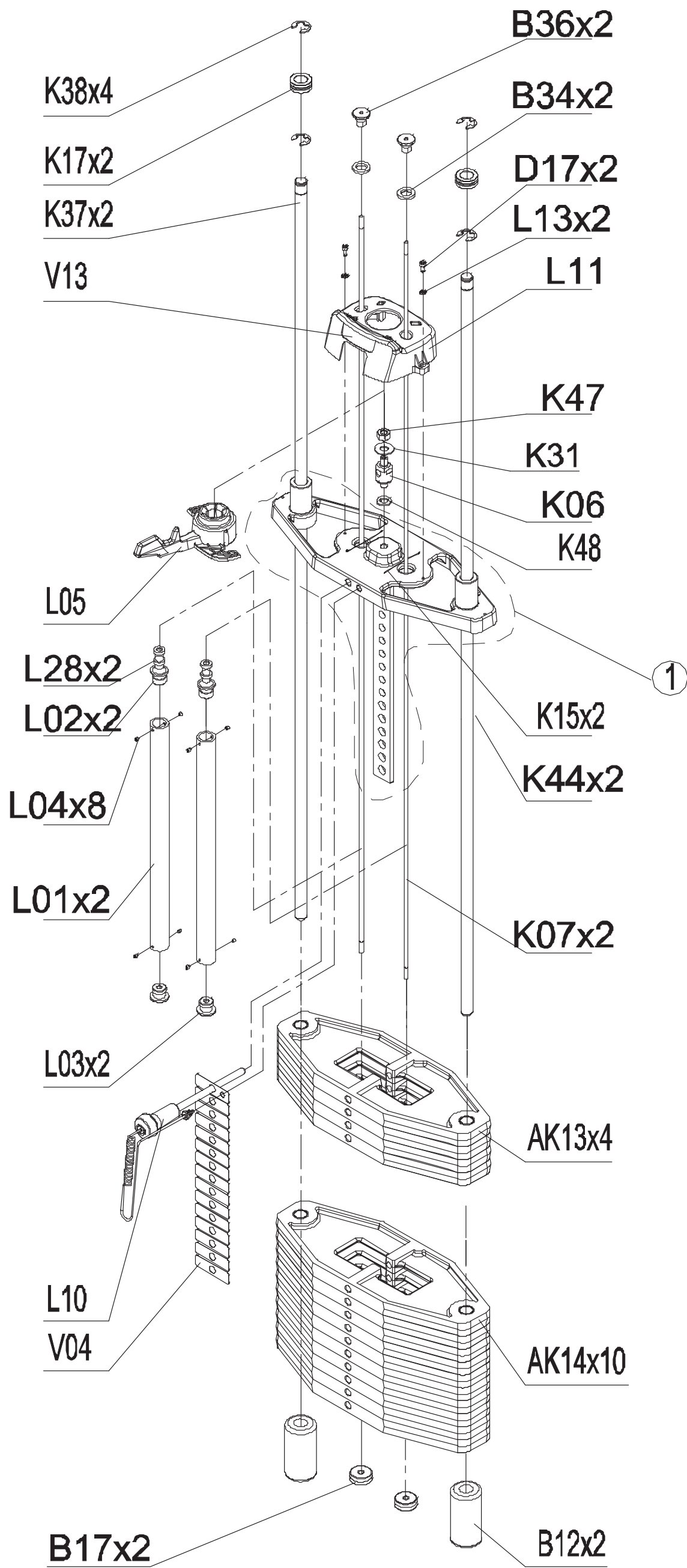


DRAWING NO	
PART NAME	SHIELD SET;U
PART NO	1000220477
APPROVE	JOHN
DATE	20120711

REV
A

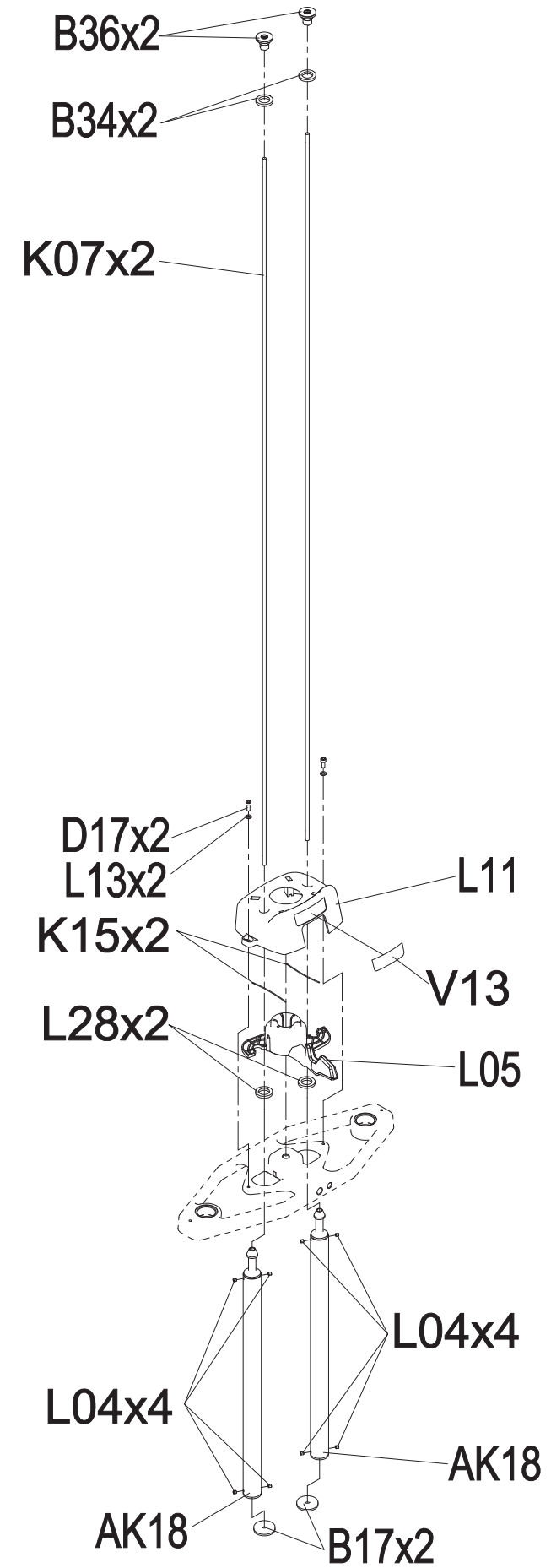
Note: Part of Premium Kit Only



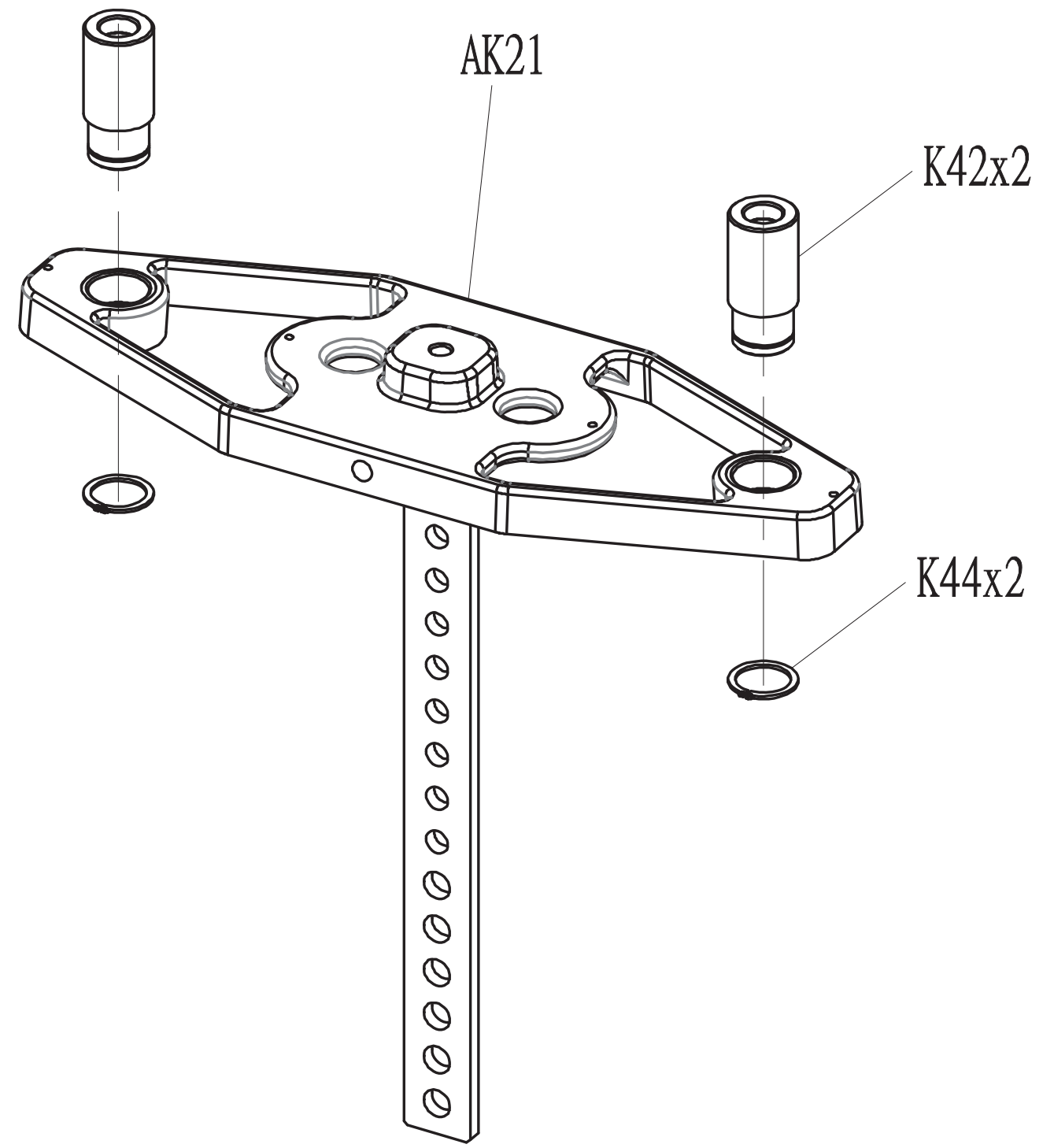


200LBS WEIGHT STACK SET

DRAWING NO	GM59-SF05		
PART NAME	Part Explosive Diagram		
PART NO	1000113110	REV	A
APPROVE	SuYehua	DATE	2023.06.06



DRAWING NO	GM59-AK23		
PART NAME	Select the group		
PART NO	1000448863	REV	A
APPROVE	WangTao	DATE	2020.01.03



Bubble#	OEM Number	Description	Notes
1	1000207217	Wps Superstratum GM59	
10	1000113110	Assistant Weight Plate Set GM59-KM	Incremental Weight Plate Set New design see service bulletin "Steel Rope Design Change". The new design is used since 07/2020 and it is compatible with older units.
2	1000446650	Steel Rope Set Diam.6.0x6102L GM102 S	
AF1	1000381926	transmission set Steel cable GM102	Old design consider upgrading to new design. See kit 2 and service bulletin "Steel Rope Design Change".
AF2	1000381927	transmission set Steel cable GM102	
AF3	1000446130	Fix Block Rop Chrome GM102	New design
AF4	1000446132	Protect Sleeve Steel Rope PU BL/Black C	New design
AF5	1000446128	Plastic Ball Steel Rope PA66+GF30% GM	New design
AF6	1000305873	Screw Socket Head M5X0.8PX6L Hex Socket	New design
AK13	1000215667	Weight Plate axle sleeve - Extrawork,10LBS GM	
AK14	1000215776	WPS set axle sleeve - Extrawork,15LBS GM	
AK21	1000207218	Wps Set Superstratum Paint GM59	
B06	1000303546	Plastic Pad Foot Pad - PP BL427	
B08	1000382110	Shim Adjust PP GM102	
B10	1000230611	SUPPORT PLATE WHEEL SPHC CHM GM59	
B12	1000200716	ELASTOMER WEIGHT RUBBER GM61	
B17	1000112984	Elastomer Assistant Weight Plate GM59	
B25	1000204728	FIXING PLATE ROPE WHEEL SPHC GM59-KM	
B34	1000215843	PLASTIC PLATE FRAME CR -	
B36	1000215844	Guide Rod fitting, Chromed	
B37	1000393973	block Cover painting Iced Sliver GM59	
B38	073573	Pulley 115mm	
B39	004929-00	Nut Nylon M8x1.25P Chromed	
B50	1000393987	Sleeve CON Tube painting Iced Sliver G	
B76	1000233200	PLASTIC COVER NBR BL	
C02	1000377415	sleeve-Extrawork Console Base Cr Plate	
C10	1000463037	Tube Cap EPDM+PP BL/Black C 50.5x100	
C18	000776-A	Elastomer E5-09B FW91	
C30	020489-A	Washer Arc 10.2x20.0x1.5t Chromed	

C31	005130-00	Washer Flat 8.4x15.5x1.6T Chromed	
C37	1000371927	Stopper Plate-Extrawork Electroplate 1	
C41	1000371918	Protected Plate Stopper L SPHC 146.8x138	
C42	1000377827	Protected Plate Stopper Plate Rt SPHC 14	
D17	1000108801	Screw RND M5x0.8Px15L HS CHM BP G8.8	
E07	093334	Triceps Rope Market MS10	
F03	1000373578	Buffer Block PA66+30%GF GM102	Replaced by new design
F04	1000373579	Buffer Block PA66+GF30% GM102	Replaced by new design
F06	1000371942	Swivel Axle-Exreawork Pulley rigidity C	
F07	1000380094	Karabiner Spring Snap 9(45mmx90mm) Sta	
F10	1000396712	Fixing Plate Pulley painting Iced Sliv	
F11	004924-AB	NUT NLK M5X0.8P CHM	Replaced by new design
F14	009247-A	Axle Swivel S45C 10x25L	
F16	1000386191	Pillar Hang Ring Outer 45# Chrome GM102	
F17	1000365116	Swivel Ring Grip Short 45# Chrome MS10	
F18	1000386196	Grip Long 45# Chrome GM102 Diam.25x	
G05	1000394128	Fixing Plate RD painting Iced Sliver G	
K06	1000393190	Fixing Pin Rop 45# Chrome GM101-KM 27.	
K07	1000113102	Guide Rod SUS304 Diam.6X1421.7 GM59	
K15	1000204997	Steel Weight Plate Up 1080 Spring Steel	
K17	1000202352	Cushion Guide Rod	
K31	1000218377	WASHER FLT Diam.16.2XDiam.37.0X1.5T - BA	
K37	1000209625	GUIDE ROD 45 - WEGHT PLATE	
K38	1000102915	Circlip E Type E-15 Cr Plate	
K42	1000215659	BUSHING GUIDE ROD POM	
K44	1000102912	Circlip External C Type S-30 BED	
K47	1000396915	Nut Nylon M14x2.0P Grade 12.9 Chrome	
K48	020509-A	Washer Diam.12.5XDiam.25.0X1.0T Chrome	
L01	1000396859	Increment Weight Plate Iced Sliver G	
L02	1000113107	Axis Sheath Leader GM59	
L03	1000211166	PLASTIC BASE ADD WEIGHT PLATE POM GM5	
L04	1000210485	SCREW SET M5X0.8PX6L FLAT POINT HS G8.8	
L05	1000200264	GRIPE ABS+TPR GM59	
L10	1000201802	PULL PIN SET WPS GM62 -	

L11	1000207213	COVER INCREMENTAL WEIGHT ABS - - -	
L13	070571	Washer Flat 5.2X10.0X1.5T CHM	
L28	1000224913	Cushion Aaw Nbr Bl	
Not Shown	1000373583	Hardware Set Semi-Assy GM102-KM	
Not Shown	1000393356	Manual Fram Manual NA and Europe GM105	
Not Shown	ZMS4007174	Decal, QR, VS-S401 Bicep/Triceps	
Not Shown	1000379591	Premium Level Semi-Assy GM101-KM	Kit with all premium parts.
Not Shown	1000474517	Snap lock solid group Semi-Assy Used f	Snap lock ONLY (part of 1000495321)
Not Shown	1000495321	Snap lock solid group Contain Karabin	Carabiner with snap lock kit (can be purchased to replace F07).
Not Shown	1000495320	Karabiner Spring Snap 9(45mmx90mm-Pin1	Carabiner ONLY (part of 1000495321)
Q01	1000113113	Cover Up ABS GM59	
Q02	1000113114	Cover Front Clarity ABS GM59	
Q09	1000209593	END CAP ACCENT	
Q10	1000224767	Plastic Cover - - PP - - - -	
Q11			Not available separately order full Shield Set kit.
Q12	1000209591	PLASTIC BAR - PVC - LABEL	
Q13	1000303486	Clamp Cover -	
Rep Counter Set	1000390201	PREMIUM - REP COUNTER right	Premium Kit
Shield Set	1000220477	GM61/GM64/GM65/	Premium Kit
V03	1000215718	PREMIUM - SHIELD SET U GM59 -	
V05	1000215704	SPEC LABEL 10 LB WEIGHT PLATE BLACK PC	
V06	1000373688	MARKING GM59-KM	
V07	1000373685	Instructional Labe Cover PC Front GM1	
V08	093501	EN LABEL GM102-KM	
V09	1000109127	Warning sticker small GM40-KM	
V10	1000373690	Decal Pinch Point MS21KM-G3	
V13	1000221799	Instructional Labe Cover PC Rear GM10	
V51	1000363760	DIRECTION LABEL AAW - PC -	
Z01	004476-Z	Warning Label Frame PC English GM40	
Z02	1000230891	BOLT SH M8X16	
Z03	1000222320	SCREW SET M10X1.5PX65L FLATHEADED HS C	
		Screw SH M5x25L - HS - CHM BP -	

Z05	1000224684	Screw RND M10x1.5Px125L - HS - CHM BP G1	
Z06	1000231572	SCREW SH M10X1.5PX20L HS BP CHM	
Z07	098577	SCREW HEX M8X1.25X35L	Used in Premium Kit.
Z08	1000099212	Screw SH M6x1.0Px15L - HS - CHM - -	
Z09	049252-AB	SCREW SH M10X1.5PX120L HS CHM	
Z10	069801	Screw, Flat Hex Socket, M8x1.25Px8L	
Z11	1000391520	Screw Socket Head M10X1.5PX135L Hex Soc	
Z12	004573-AE	Screw Hex Socket Sink M10x1.5Px25L	
Z13	004694-00	Screw TH M8X1.25PX10L Hex Socket Chrom	
Z14	020465-AB	Washer Flat M10.2X25PX2.0T Chromed	
Z16	020112-A	Screw Hex Socket Round M10x1.5Px50L(Tooth15)	
Z18	1000105174	Nut Nylon M10x1.5P G12.9 CHM	
Z22	1000097206	Screw SH M8X1.25PX25L HS CHM BP	
Z23	020196-A	Screw Phillip BH Tapped 3x6L Zn-BL	Used in Premium Kit.
Z24	1000090321	Screw BH 4X15L TC PH G8.8 BAN POT	Used in Premium Kit.
Z25	1000108796	Screw RND M10x1.5Px55L HS CHM BP G12.9	
Z26	1000104691	Screw RND M10x1.5Px30L HS G12.9 CHM BP	
Z27	020081-00	Screw SH M8X1.25PX60L HS G12.9	Part of Premium Kit
Z30	005144-AC	Washer Flat 10.2X35.0X2.0T Chromed	
Z44	1000104672	Screw BH M5x0.8Px10L HS CST CST CST CHM	Used in Premium Kit.
Z66	040816-A	Screw Phillip BH Tapped 3x8L	Used in Premium Kit.
AB1	1000396557	Frame Set painting Iced Sliver GM102-	
AC1	1000396611	base set painting Iced Sliver GM102-K	
AC2	1000396654	base connect set Base Seat painting Ic	
AC3	1000381846	Pedal-Extrawork FOOTPAD down PU Spray-On	
AF8	1000446126	Steel Rope Set 6.0x6059L GM102 Exclu	
AG1	1000396691	Disassembly connect set painting Iced	
AG2	1000396678	Connecting Set CON Tube painting Iced	
B32	N/A	N/A	Not available separately order full Rep Counter Set.
K31	1000218377	Washer	
N01	N/A	N/A	Not available separately order full Rep Counter Set.

N61	N/A	N/A	Not available separately order full Rep Counter Set.
N62	N/A	N/A	Not available separately order full Rep Counter Set.
Not Shown	1000373677	Label set Semi-Assy GM02-KM	
Not Shown	1000373693	Manual Assembly GM102-KM	
Q06	N/A	N/A	Not available separately order full Rep Counter Set.
Q07	N/A	N/A	Not available separately order full Rep Counter Set.
Q14	N/A	N/A	Not available separately order full Rep Counter Set.
Q42	N/A	N/A	Not available separately order full Rep Counter Set.
Q45	N/A	N/A	Not available separately order full Rep Counter Set.
Q48	N/A	N/A	Not available separately order full Rep Counter Set.
V02	1000373679	Bar Code Label GM102-KM	
C10	1000371560	Cap Elliptical TPU Diam.50.0xDiam.100.	Discontinued
Z12	1000102889	Screw FH M10x25L - HS - CHM BP G10.9	Discontinued